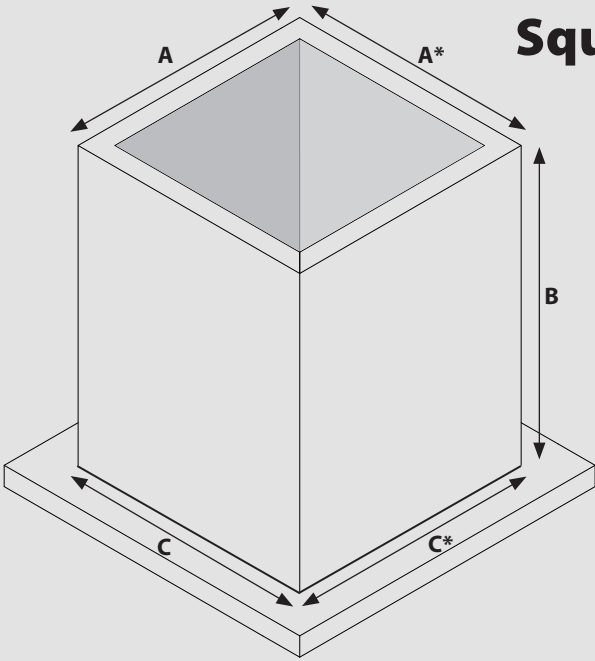


SIFT-SOCK SKETCH FORM

FAX THIS FORM TO 860.289.8744 FOR A PROMPT QUOTE



Square / Rectangle Transition

A: Dimension: _____ inches

A*: Dimension: _____ inches

Type of Hem at "A"	
1" Plain Hem	
Shock Cord Hem	
Drawstring Hem	
Flanged Hem	" wide

B: Overall Length: _____ inches

C: Dimension if different from **A**

C: Dimension: _____ inches

C*: Dimension: _____ inches

Material: _____

Comments: _____

Type of Hem at "C"	
Plain Hem	
Shock Cord Hem	
Drawstring Hem	
Flanged Hem	" wide

Sleeve-within-a-Sleeve		
Inner sleeve fits inside spout to prevent product buildup	YES	NO

Custom Sift-Socks are non-refundable, non-returnable except in cases of manufacturing defect. Please confirm the dimensions, construction and material(s) are accurate.

Approved By: _____

Your Name: _____

Company: _____

Phone / Email: _____

Siftex Drawing Number: _____

Siftex Part Number: _____